

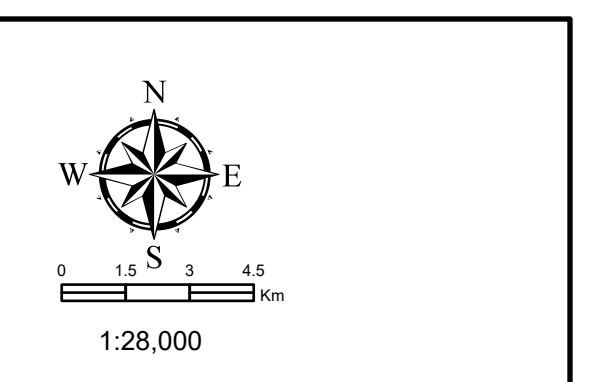
**Legend**

2026 Electoral District Boundary	Highway - 100 Series / Trans Canada	Lake / Ocean
Polling Division Boundary	Secondary Highway	Building Footprint
Electoral District	Road	Railroad
Residential Centre Polling Division	Airport	
001 Polling Division Number		

**Provincial Electoral Map Series - 2026**

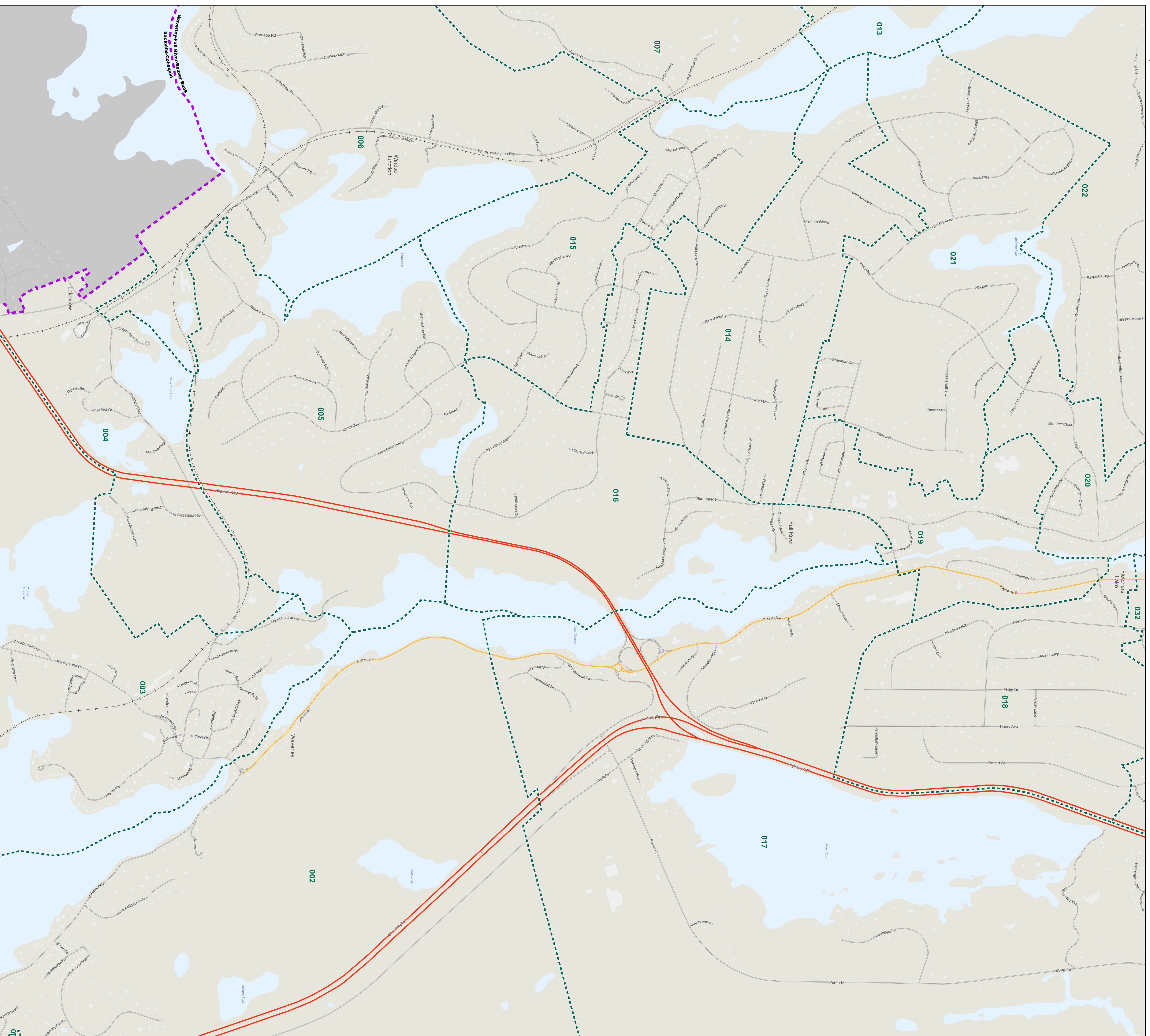
The electoral district names and boundaries are based on amendments to the House of Assembly Act as passed through Bill No. 203, House of Assembly Act (amended), Chapter 32 of the Acts of 2026: An Act to Amend Chapter 1 (1992 Supplement) of the Revised Statutes, 1989, the House of Assembly Act.

NADES (CSRS) / UTM Zone 20N  
Base Mapping Source: Service Nova Scotia, Department of Natural Resources  
Produced by: Elections Nova Scotia  
Version Date: March 12, 2026

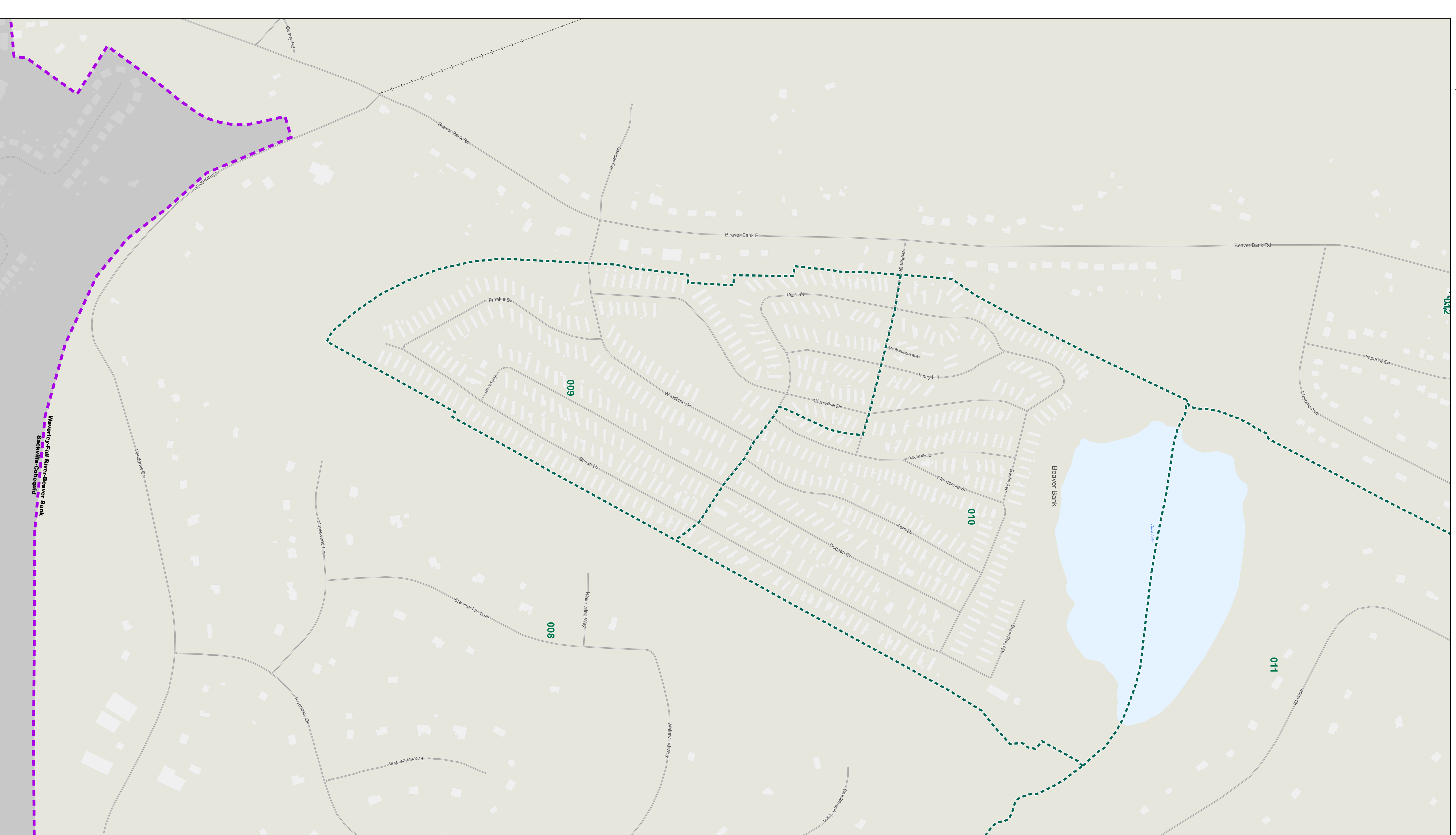


**Electoral District of Waverley-Fall River-Beaver Bank  
Inset Map**

Fall River Inset - 43,300



Woodbine Inset - 2,800



- Legend**
- 2018 Electoral District Boundary
  - 2018 Polling Division Boundary
  - 2018 Precinct Boundary
  - 2018 Residential Census Polling Division
  - 2018 Polling Division Number
  - Highway - 100 Series / Trans Canada
  - Secondary Highway
  - Road
  - Railroad
  - Airport
  - Lake / Ocean
  - Building Footprint

**Provincial Electoral Map Series - 2018**

The National Electoral System and Boundaries Act is based on amendments to the Electoral System Act as passed through Bill No. 201, House of Assembly, Act (amended), Chapter 32 of the Acts of 2018. Act and by Amend Chapter 1 (1992) (amendment) of the Electoral System, 1989, the House of Assembly Act.

Base Mapping Source: Service Nova Scotia, Department of Natural Resources

Prepared by: Elections Nova Scotia

Version: 086, March 12, 2019

