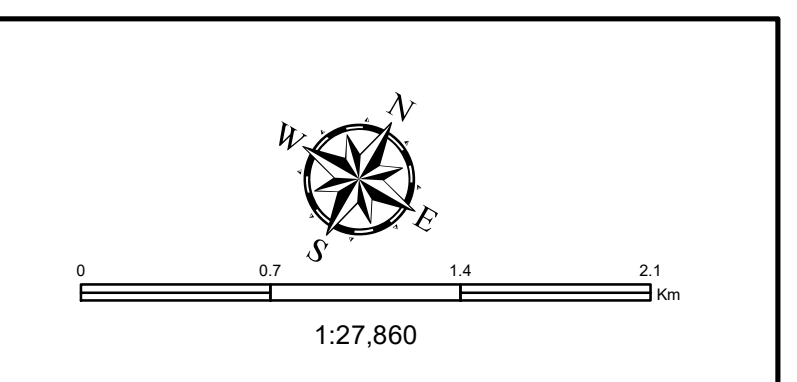


- Legend**
- - - - - 2019 Electoral District Boundary
  - - - - - Polling Division Boundary
  - Electoral District
  - ▲ Residential Centre Polling Division
  - 001 Polling Division Number
  - Highway - 100 Series / Trans Canada
  - Secondary Highway
  - Road
  - Railroad
  - Airport
  - Lake / Ocean
  - Building Footprint

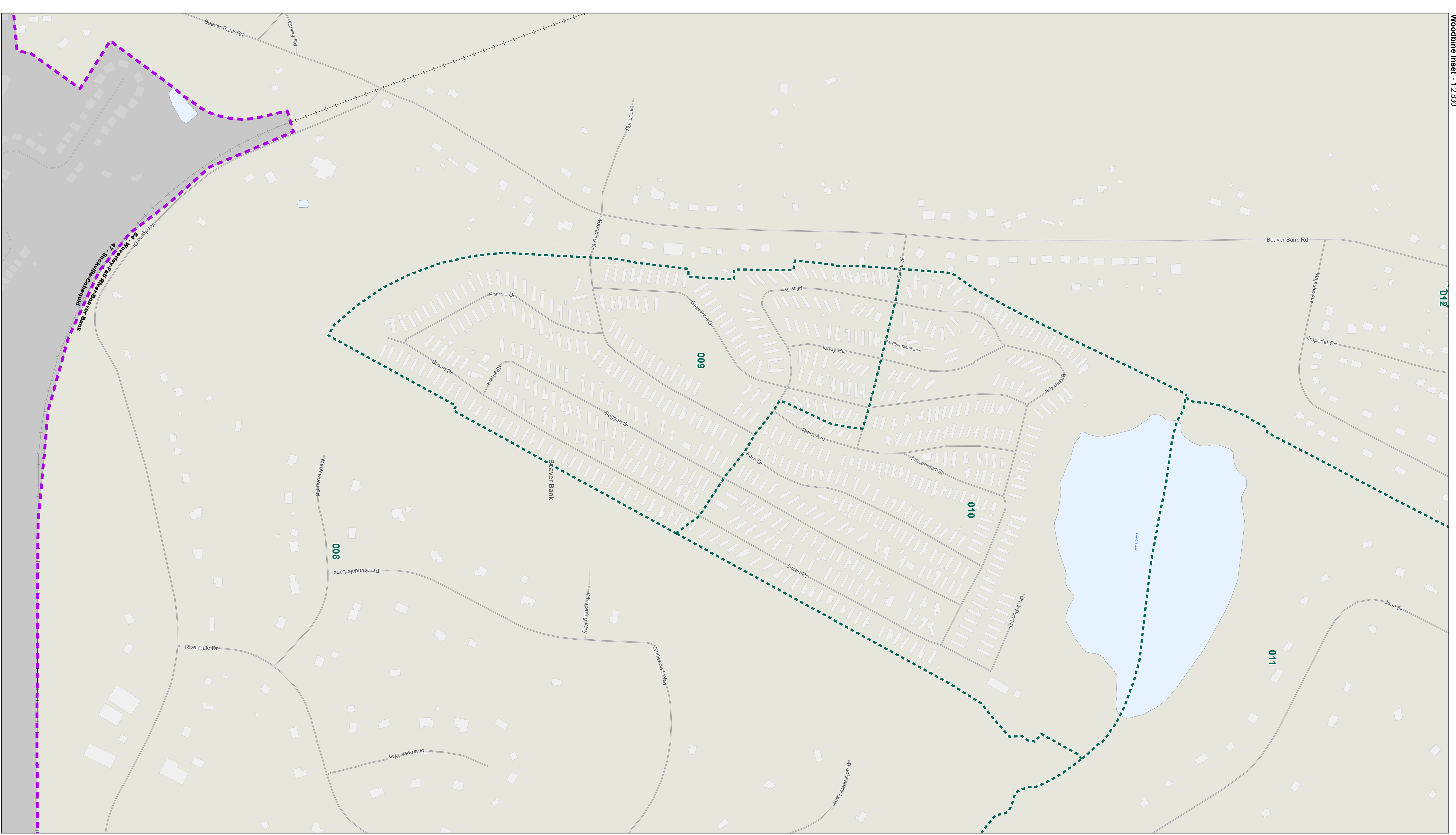
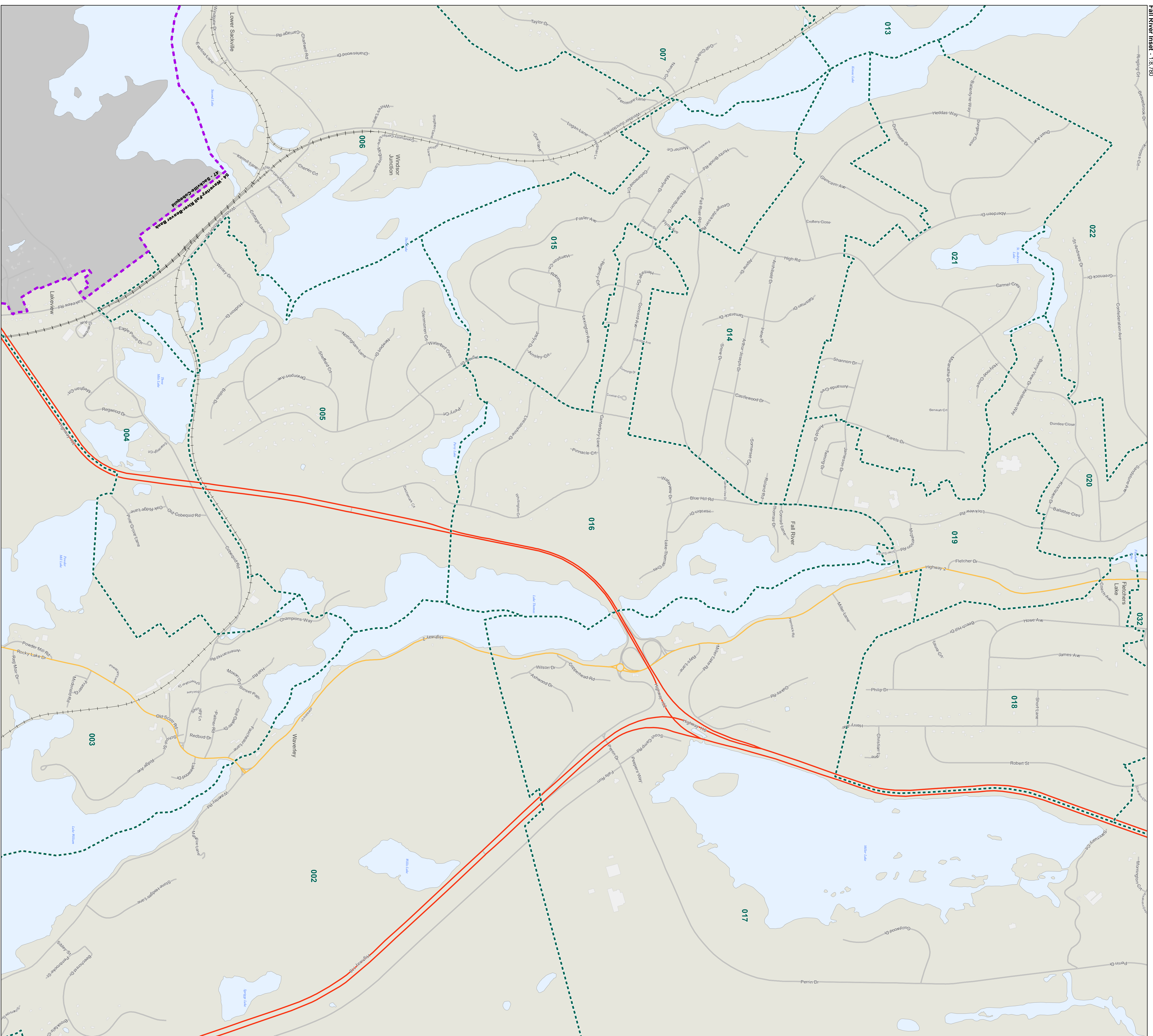
**Provincial Electoral Map Series - 2019**

The electoral district names and boundaries are based on amendments to the House of Assembly Act as passed through Bill No. 197, House of Assembly Act (amended), Chapter 32 of the Acts of 2019. An Act to Amend Chapter 1 (1992 Supplement) of the Revised Statutes, 1989, the House of Assembly Act.

NADES (CSRS) / UTM Zone 20N  
Base Mapping Source: Service Nova Scotia, Department of Natural Resources  
Produced by: Elections Nova Scotia  
Version Date: January 1, 2019



**54 - Electoral District of Waverley-Fall River-Beaver Bank  
Inset Map**



- Legend**
- 2018 Electoral District Boundary
  - Polling Division Boundary
  - Electoral District
  - Residential Care Facility Polling Division
  - 001 Polling Division Number
  - Highway - 100 Series / Trans Canada
  - Secondary Highway
  - Road
  - Railroad
  - Airport
  - Water
  - Land, Ocean
  - Building Footprint

**Provincial Electoral Map Series - 2019**

The electoral district names and boundaries are based on amendments to the Electoral Act as passed through Bill No. 87, House of Assembly, Act (amended), Chapter 22 of the Acts of 2019, and by Amend Chapter 1 (2020) (amendment) of the Electoral Statutes, 1998, the House of Assembly Act.

Base Mapping Source: Service Nova Scotia, Department of Natural Resources

Prepared by: Elections Nova Scotia

Version Date: January 1, 2021

